

“BEZEQ” Communications Chambers

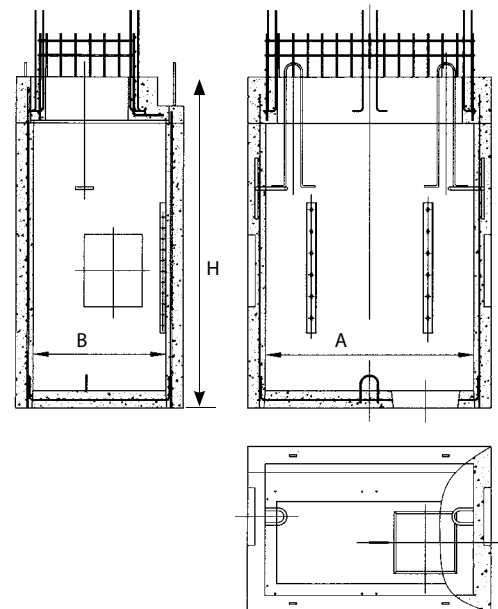
Model	Dimensions in cm			Number of anchors	Weight in kg	Unit price in NIS	Unit delivery price in NIS
	A length (internal)	B width (internal)	H height (external-external)				
P	61	61	95	-	940	1,735.-	196.-
1A	127	57	192	2	2610	4,879.-	511.-
2A	143	91	227	2	4250	6,385.-	859.-
3A	300	150	250	5	10090	18,163.-	2,273.-
5A	213	168	250	5	6750	14,840.-	1,958.-
25A	200	120	250	5	6540	13,869.-	1,763.-
401A	240	110	250	3	7520	14,677.-	2,018.-
1A With no floor *	127	57	150	2	1830		
2A With no floor *	143	91	185	2	3160		

Prices by agreement

*new models (2014) with no floor.

The Wolfman Company is authorized by BEZEQ to supply communications chambers of various types as well as different accessories for them.

- The price of the chambers does not include the cost of anchors or any other accessories.



Accessories prices for BEZEQ cells

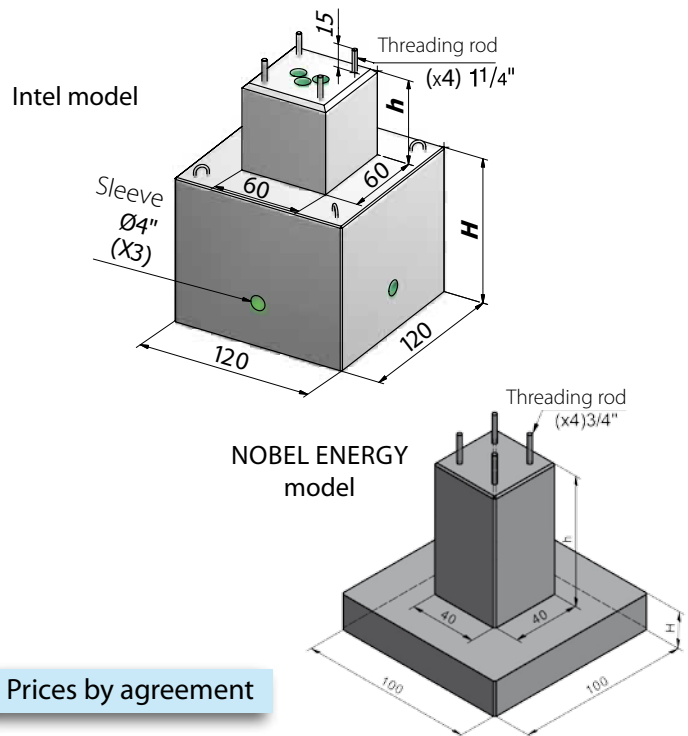
Catalog no.	Description	Number of components in a chamber (units)						Unit price in NIS
		A-1	A-2	A-3	A-5	A-25	A-401	
010180002	Floor and wall anchor	3	3	5	5	5	3	120.-
330001001	Suspension strip – 90-cm	-	2	-	-	4	-	181.-
330001002	Suspension strip – 120 cm	-	-	6	4	-	2	290.-
330001003	Reinforced concrete grating for a sewage pit	1	1	1	1	1	1	521.-
330001004	Plastic bucket	1	1	1	1	1	1	104.-
330001005	150-cm grounding rod	-	2	2	2	2	2	406.-
330001006	Coupler	-	1	1	1	1	1	132.-
330001007	Ring fastener	-	1	1	1	1	1	89.-
330001008	Drill head	-	1	1	1	1	1	138.-
330001009	150-cm grounding cable	1	1	1	1	1	1	326.-

Foundations for lamp posts and lid plates to protect underground cables

Permanent foundations

Model	Dimensions in cm				Weight (ton)
	Width	Length	Height		
			H	h	
Intel 100	120	120	100	60	4.0
Intel 85	120	120	85	60	3.5
Intel 70	120	120	70	60	2.9
Nobel Energy	100	100	24	74	0.78

- Dimensions of the upper foundation are 60 X 60 X 60.
- The foundations include foundation bolts 1 1/4" in diameter. The bolts are galvanized and welded to the grounding strip.
- 3 sleeves of corrugated 4" pipe are installed in the foundation for underground connections.
- The foundation has 4 lifting lugs for conveyance and installation.



Prices by agreement

Concrete Cubes

Description	Weight in kg
"DEBESH" cube, 100 X 100 X 75 with recessed lifting lugs	1800
"DEBESH" cube, 100 X 100 X 50 with recessed lifting lugs	1200

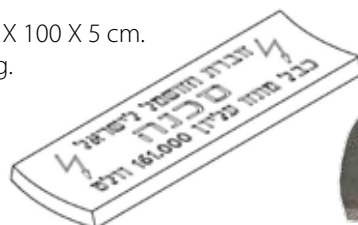
Description	Weight in kg
"DEBESH" cube, 100 X 100 X 100 with lifting lugs	2400
"DEBESH" cube, 100 X 100 X 100 with lifting holes	2400
"DEBESH" cube, with a hole for a wood pole	2230

Prices by agreement

Lid plates for underground cables

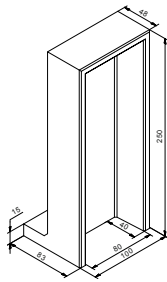
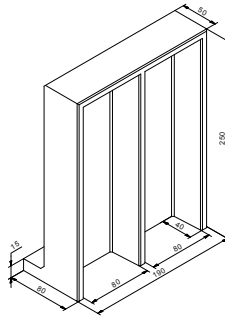
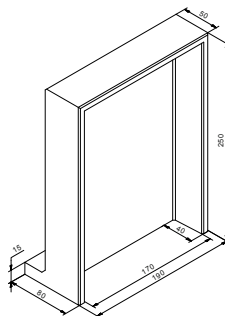
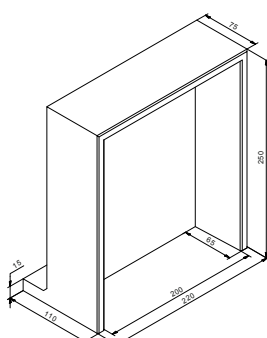
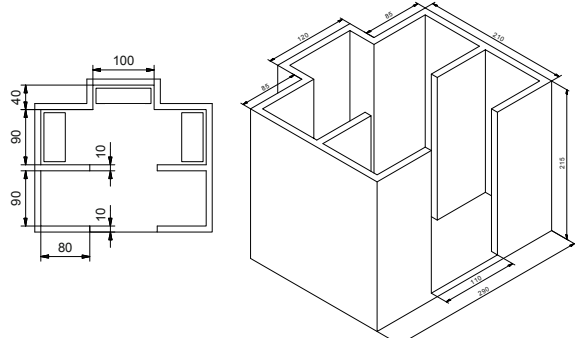
- The plates serve to protect underground electricity and/or communications cables.
- General dimensions are 31 X 100 X 5 cm.
- Weight of each unit is 38 kg.

- Reinforcement: welded steel net.
- Marking on the plate by request.



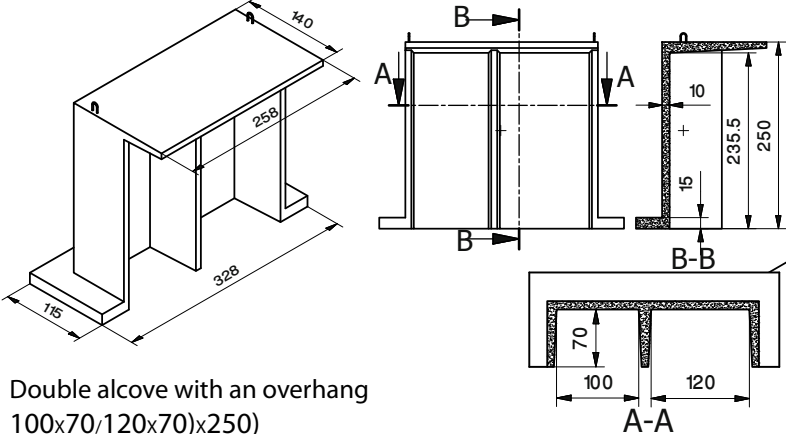
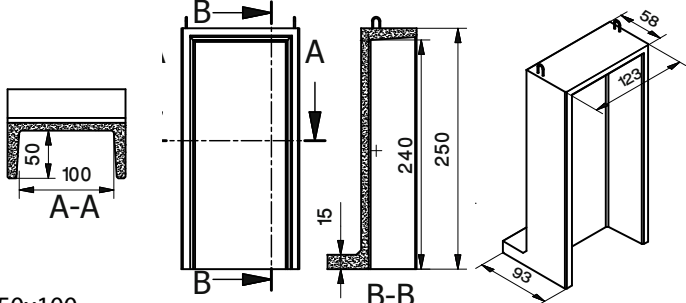
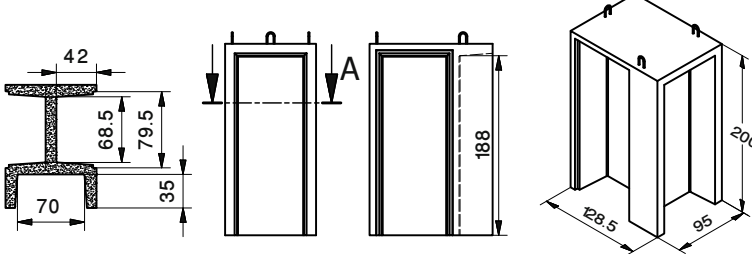
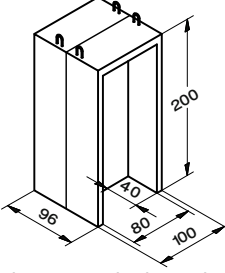
Prices by agreement

Alcoves "Pillars" for Electricity and Communications

Description	Catalog no.	Weight in kg	Unit price in NIS	Unit delivery price in NIS
<p>Narrow alcove 80x40x250</p> 	234080440	1200	1,838.-	186.-
<p>Double alcove 2 X 80 X 40 X 250 With a divider in the middle</p> 	234160441	2470	2,419.-	289.-
<p>Wide alcove 170 X 40 X 250</p> 	234170440	2200	2,225.-	236.-
<p>Special alcove 200 X 65 X 250</p> 	234200640	2975	3,576.-	314.-
<p>"SHACHAF" alcove</p> 	990000334	7620	14,994.-	855.-

- Shorter alcoves without a ceiling or a rear base can also be ordered.
- The alcoves are constructed from B-30 reinforced concrete.

Alcoves "Pillars" for Electricity and Communications

Description	Catalog no.	Weight in kg	Unit price in NIS	Unit delivery price in NIS
 <p>Double alcove with an overhang 100x70/120x70)x250)</p>	234101241	4510	8,930.-	542.-
 <p>Alcove 50x100 50x100x250</p>	234100540	1580	1,838.-	186.-
 <p>Three chamber alcove 2x68.5x42 / 70x35)x200)</p>	234060830	1985	3,269.-	210.-
 <p>Double sided alcove 2x80x40x200</p> <p>The alcove is constructed from two single alcoves attached together with bolts</p>	234080430	2100	4,420.-	373.-

- Shorter alcoves without a ceiling or a rear base can also be ordered.
- The alcoves are constructed from B-30 reinforced concrete.



Double alcove with an overhang



Three chamber alcove